

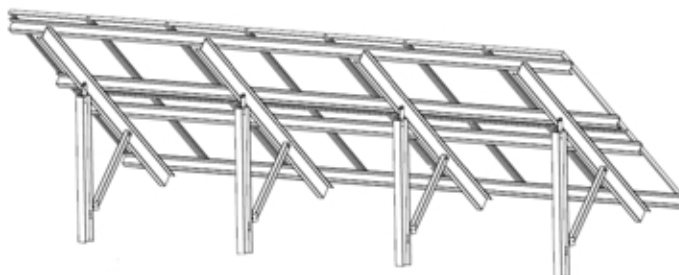
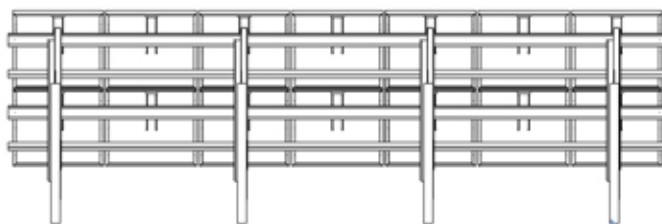
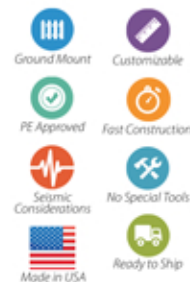
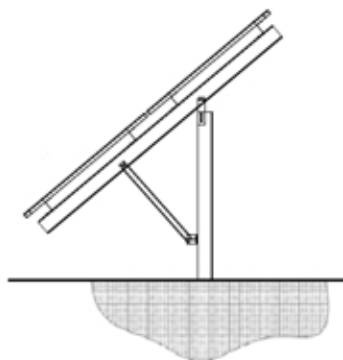


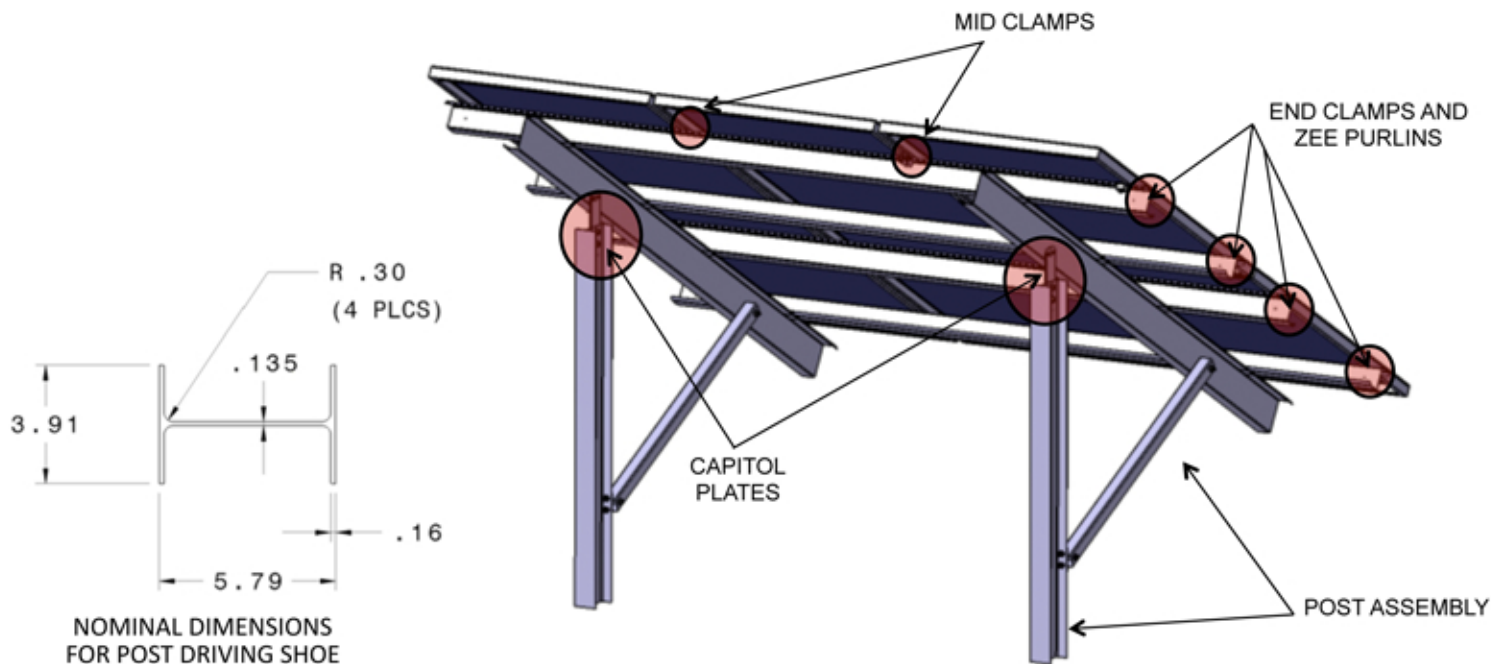
**Designed to put more money
back in your pocket...**

AET's ECO line includes all the features our customer's love about our racking solutions in a cost competitive package.

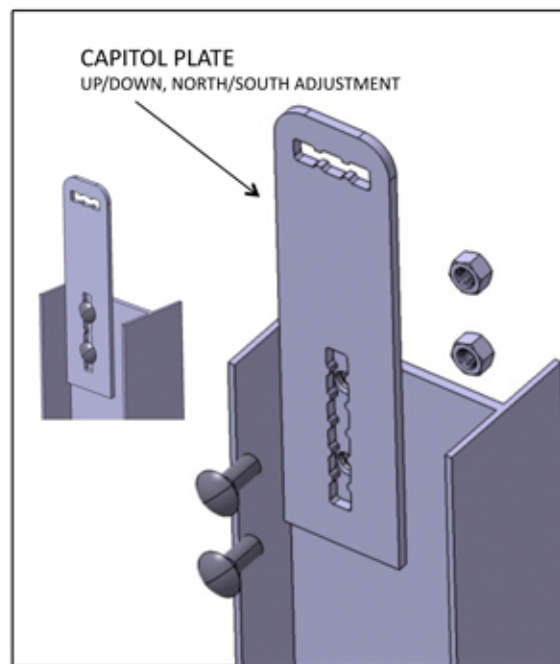
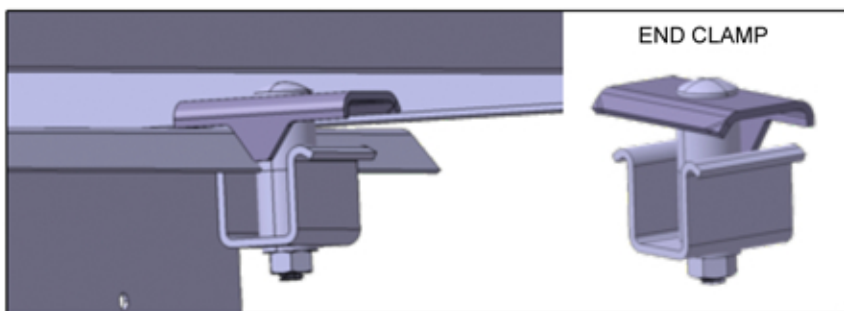
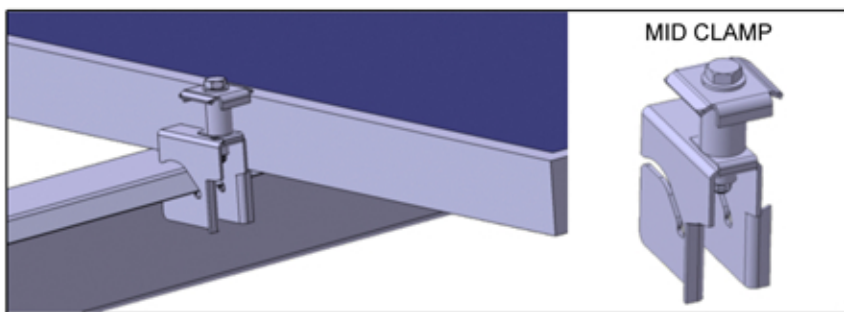
- Designed for cost-driven projects
- 2-high portrait design optimized for maximum panels per post based on wind and snow conditions
- HIGH shipping density, **DRAMATICALLY** lowers freight bills
- Fits all panels available today
- Single point connection to system ground
- Full layout and loading analysis for every project
- G90 Galvanized for corrosion resistance
- Lightweight for easy handling on the job site
- Industry-leading installation time
- Ballasted / Helical / Screw-pile options available

**Easy to install. Built to last.
With you all the way.**





FAST AND EASY ASSEMBLY



Designed to put more money back in YOUR pocket.